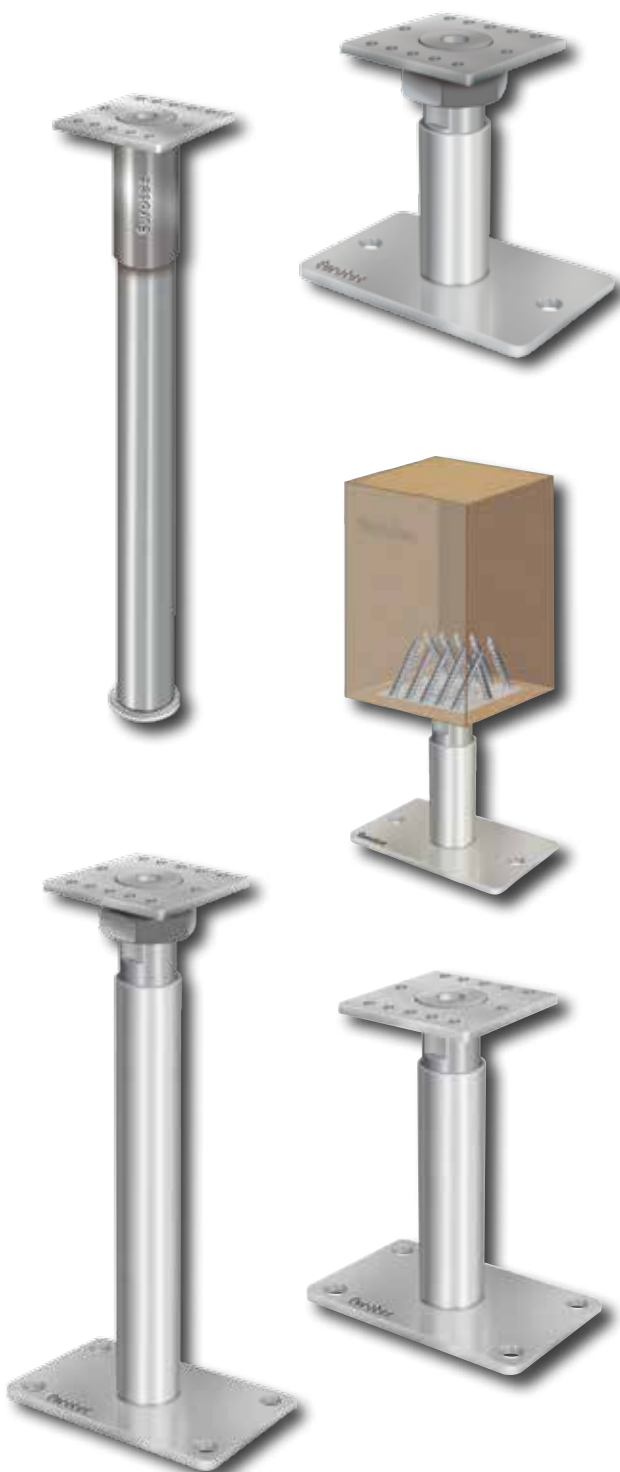


PediX post feet

Quick to assemble, with an especially high load-bearing capacity



PediX

The PediX post foot is a post bearer that meets the requirements for constructive timber protection. It can be mounted on the end grain of the post using fully threaded screws with no need for joinery work or pilot-drilling. An EPDM gasket between the post foot and post provides additional protection for the wood against penetrating moisture. After assembly, the height of the post foot can still be adjusted by up to 50, 100 or 150 mm (except PediX B500). Thanks to the height adjustment, manufacturing tolerances relating to the structure and subsequent settlement in the individual foundations can be balanced out.

The post foot has high tensile and compressive load capacities.

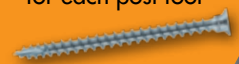
Brief technical description:

- Simple assembly with fully threaded screws and no need for joinery work, pilot-drilling or milling
- Min. timber cross section of 100 x 100 mm
- Additional constructive timber protection thanks to gasket on end grain
- Hot-dip galvanised structural steel S235JR (ST37-2)
- Comes supplied with 12 fully threaded A2 screws measuring 5,0 x 80 mm
- All PediX post feet can be used in the usage classes 1, 2 and 3 in accordance with DIN EN 1995-1 -1
- The PediX 300+150 and PediX 300+150 HV allow constructive timber protection in accordance with the new DIN 68800-2
- In addition to the vertical loads, the PediX B500, PediX 140+50 HV, PediX 190+100 HV and PediX 300+150 HV post feet **can also dissipate horizontal forces into the subsurface**
- High tensile and compressive load capacities in accordance with ETA 13/0550









Advantages

- Easy assembly without milling
- Subsequent height adjustment
- High load bearing capacity

12 fully threaded
Ø 5,0 mm x 80 mm
A2 screws come supplied
for each post foot



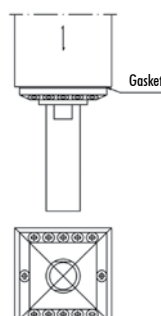
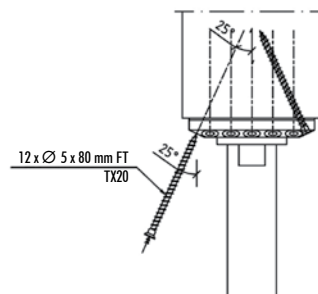
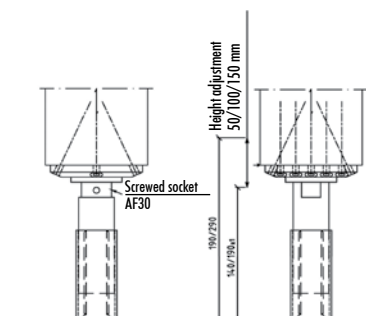
Technical data: PediX post feet

Name	Art. no.	Height adjustment in assembled state	Min. post cross section	Dimensions of baseplate	Compressive load-bearing capacity	Tensile load-bearing capacity	Lateral force resistance ²⁾	PU
Post feet on concrete		[mm]	[mm]	LxWxH [mm]	N _{c,d} [kN]	N _{t,d} [kN]	V _{R,d} [kN]	pcs.
PediX 140+50 	904681	140 - 190	100 x 100	160 x 100 x 8	48,0	9,2	—	4
PediX 190+100 	904682	190 - 290	100 x 100	160 x 100 x 8	30,9	9,2	—	4
PediX 300+150 ¹⁾ 	904689	300 - 450	100 x 100	160 x 100 x 8	16,2	9,2	—	4
PediX 140+50 HV 	904681-HV	140 - 190	100 x 100	160 x 100 x 8	48,0	9,2	4,4 ²⁾	4
PediX 190+100 HV 	904682-HV	190 - 290	100 x 100	160 x 100 x 8	35,4	9,2	3,6 ²⁾	4
PediX 300+150 HV ¹⁾ 	904689-HV	300 - 450	100 x 100	160 x 100 x 8	34,5	8,6	2,3 ²⁾	4
Post feet in concrete		Height adjustability [mm]	[mm]	LxWxH [mm]	N _{c,d} [kN]	N _{t,d} [kN]	V _{R,d} [kN]	pcs.
PediX B500 	904683	—	100 x 100	—	48,0	17,7	4,6 ²⁾	4
PediX B500+50 ¹⁾ 	904686	50	100 x 100	—	30,9	17,7	—	4

1) The PediX 300+150, PediX 300+150 HV and PediX B500+50 will shortly be added to ETA 13-/0550. Expert reports on load-bearing capacity are already available for the PediX 300+150 and PediX 300+150HV.
2) The lateral force resistance must be overlaid with the compressive and tensile load in accordance with ETA 13-/0550 and can therefore lead to lower load-bearing capacities.

Please note: The stated values are only intended as planning aids. They are subject to typographical and printing errors. Projects must only be calculated by authorised persons.

Installation instructions: You will find more-detailed information in our installation instructions.

	 <p>12 x Ø 5 x 80 mm FT TX20</p>	 <p>Height adjustment 50/100/150 mm</p> <p>Screwed socket AF30</p>
<p>The PediX post foot can be attached easily to the end grain. Place the seal on the support foot and then place both parts centrally on the end grain surface. Note: To make assembly easier, the base plate and the cover sleeve can be unscrewed.</p>	<p>After centring the head plate, screw in the 12 A2 full-thread 5,0 x 80 mm screws at an angle of 25° without pilotdrilling.</p>	<p>The protective sleeve and the baseplate can be reinstalled after all screws are fitted. After the post is erected with the post foot installed, it can be anchored on a concrete foundation with two or four cavity-wall ties or concrete bolts. Once the foot is installed on the socket, its height can be adjusted using an AF30 spanner.</p>

Please note: Do not screw the post foot to a height greater than 190, 290 or 450 mm respectively.