

## Product data sheet – Blue-Power system profile U + Z + L

### Product description

The combined Blue-Power system screw and the Blue-Power system profile U, Z or L is a quick and easy solution wherever aluminium substructures are to be fastened at a distance on concrete or brickwork. The Blue-Power system profile can absorb the effects of both tensile and lateral forces. For applications on façade insulation the insulating agent absorbs a portion of the transverse forces. The insulation product must therefore have a compression strength of at least 50 kPa at 10% compression. The drilling guides make it easier to maintain the required dimensions.

### Material

- Aluminium

### Advantages

- Simple assembly, no anchor plug needed
- Short assembly times
- Can be processed with standard cordless tools

### Addition

- Drilling guide 15°
- Drilling guide 45°



### Product table

Art. no.	Designation	Dimensions [mm] <sup>a)</sup>	Material	PU
975668	Blue-Power system profile U	20 x 4000 x 80	Aluminium	1
975669	Blue-Power system profile Z	20 x 4000 x 52	Aluminium	1
On request	Blue-Power system profile L	15 x 6000 x 15	Aluminium	1
800310	Drilling guide 15°	14,5 x 50 x 19,5	Aluminium	1
800311	Drilling guide 45°	15 x 49 x 19,5	Aluminium	1

a) Height x length x width

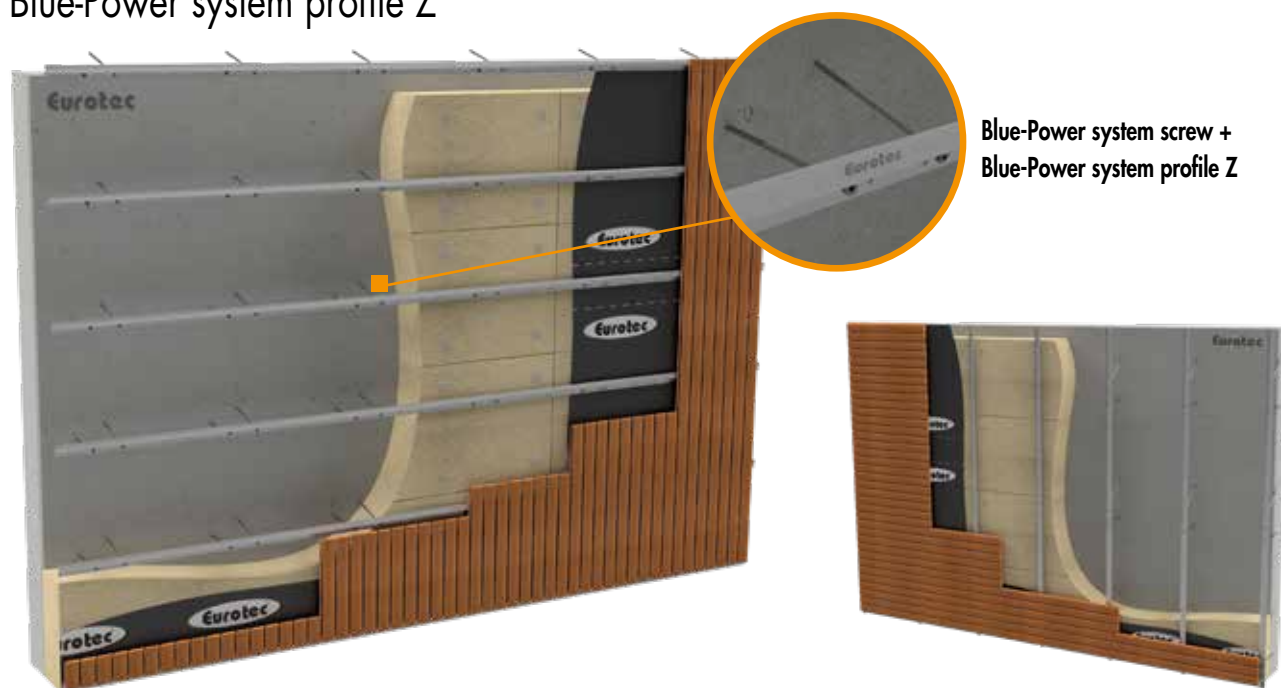
## Product data sheet – Blue-Power system profile U + Z + L

### Installation options

#### Blue-Power system profile U



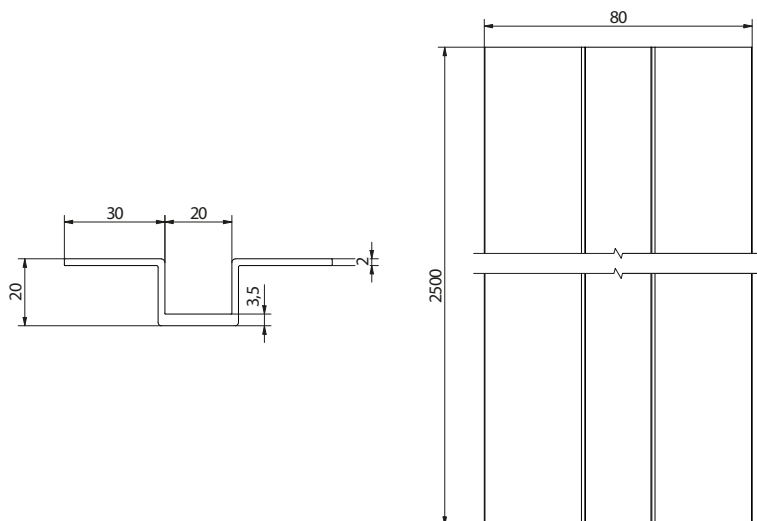
#### Blue-Power system profile Z



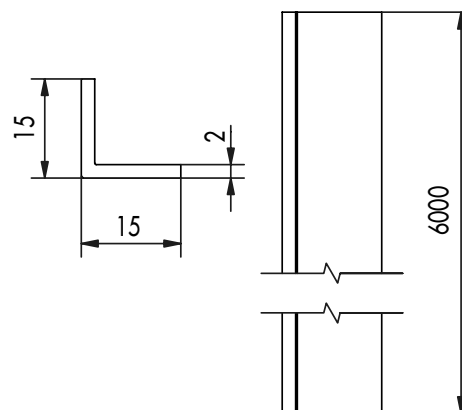
## Product data sheet – Blue-Power system profile U + Z + L

### Drawings

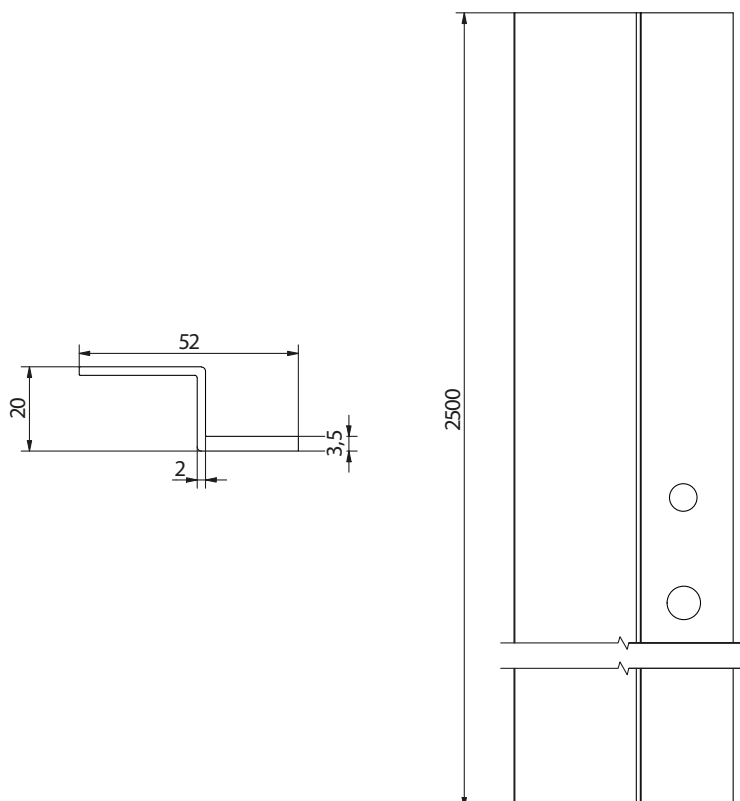
- Blue-Power system profile U



- Blue-Power system profile L



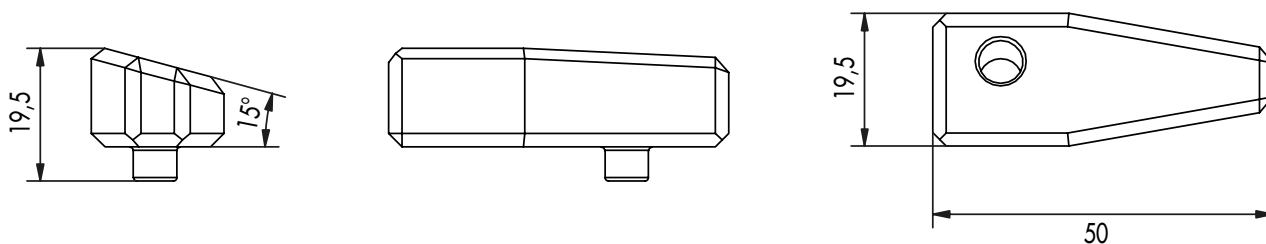
- Blue-Power system profile Z



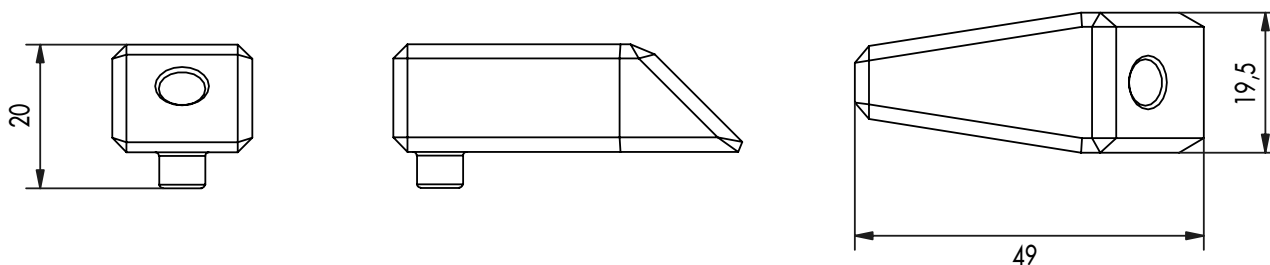
**Product data sheet – Blue-Power system profile U + Z + L**

**Drawings**

- Blue-Power drilling guide 15°



- Blue-Power drilling guide 45°



If you are not familiar with how this product is used, and particularly with the product's intended use, please contact our Application Technology department (Technik@eurotec.team).